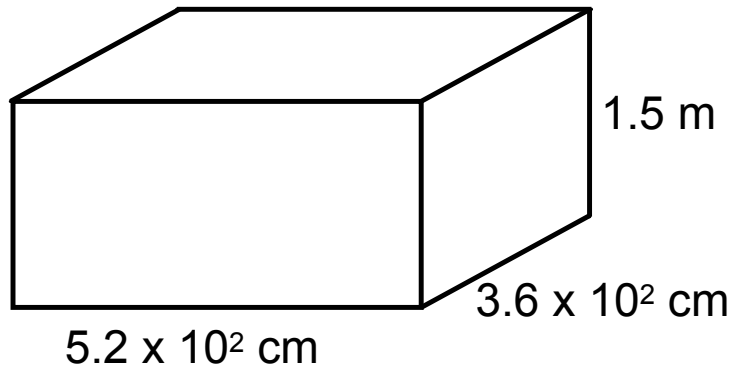


Find the volume of the prism below in scientific notation.



22. 150 years

23.  $10^{24}$

p. 99 #19.  $60 + 8a$

## Tips and Tricks for Scientific Notation

1. Multiply and divide the numbers (without the 10s) first, then convert the rest.

2. Bigger number = bigger exponent, smaller number = smaller exponent. Numbers smaller than 1 will always give negative exponents.

**Note:** -3 is smaller than -2

3. Always double check when counting!

p. 89 #31

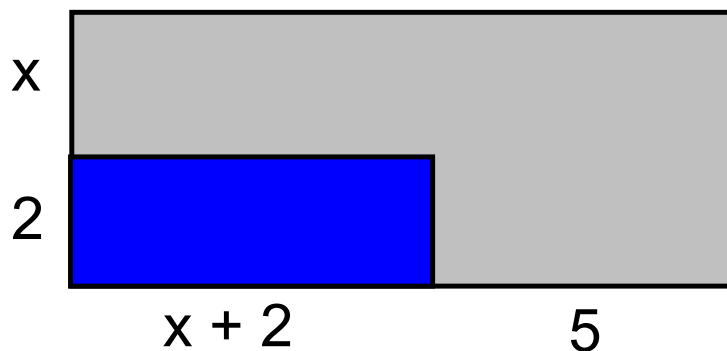
According to scientists, our solar system was formed after a supernova explosion 4.6 billion years ago. How many seconds have elapsed since this explosion?

p. 96

6. Two rectangular cards are superimposed as shown in the illustration below. All the measures are in centimetres.

a) Write an algebraic expression corresponding to the area of the grey part.

b) What is the area of the grey part if  $x = 6$ ?



p. 99

14. Prove that expressions  $(a + b)^2$  and  $\frac{4a^2 + 8a^2b + 4ab^2}{4a}$  are equivalent.